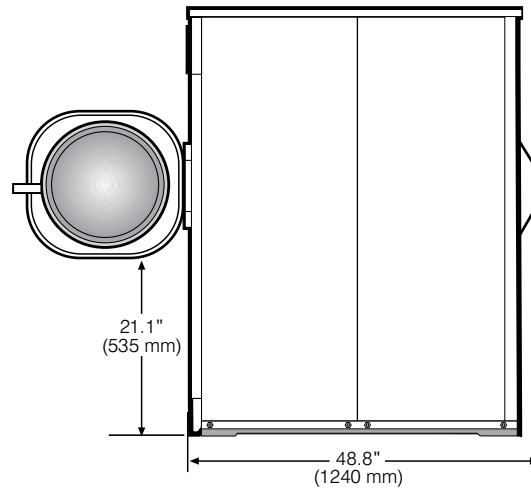
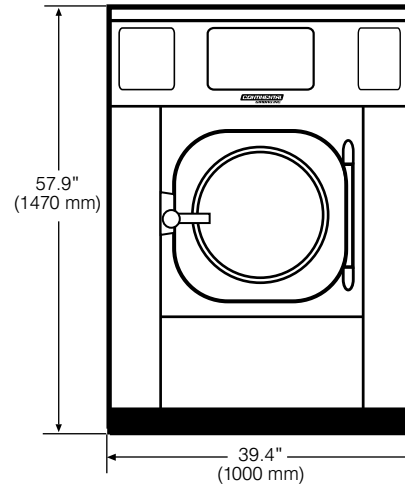


EH055

**VENDED EXPRESSWASH 55-POUND CAPACITY
HIGH-PERFORMANCE WASHER-EXTRACTOR**

Capacity <i>lbs (kg)</i>	55 (22.8)
Cylinder Diameter <i>inch (mm)</i>	29.1 (739)
Cylinder Depth <i>inch (mm)</i>	21 (530)
Cylinder Volume <i>cu ft (dm³)</i>	8.1 (228)
Net Weight <i>lbs (kg)</i>	1601 (726)
Crated Weight <i>lbs (kg)</i>	1687 (765)
Machine Width <i>inch (mm)</i>	39.4 (1000)
Machine Depth <i>inch (mm)</i>	48.8 (1240)
Machine Height <i>inch (mm)</i>	57.9 (1470)
Door Opening <i>inch (mm)</i>	15.7 (400)
Floor to Door <i>inch (mm)</i>	21.1 (535)
Shipping Dimensions <i>inch (mm)</i> (WxDxH)	40.4 x 49.4 x 65 (1025 x 1255 x 1650)
Washing Speed <i>rpm</i>	43
Spin Speeds <i>rpm</i>	43/87/330/525/725/920
G-force	0.77/3.14/45/114/218/351
Static Force Transmitted <i>lbs (kg)</i>	1854 (841)
Dynamic Force Transmitted <i>lbs (kg)</i>	258 (117)
Frequency of Dynamic Force <i>Hz</i>	15.3
Available Voltages	208-240/60/3
Wire Conductor/Amp	3W + G / 6 Amp
Modified Energy Factor (MEF)*	2.34
Water Consumption Factor (WCF)*	4.09
Drain Diameter <i>inch (mm)</i>	3 (76)
Water Inlets <i>inch (mm)</i>	3/4 (19)
Recommended Water Pressure <i>PSI (bar)</i>	30-60 (2-4)
Water Flow <i>gal/min (l/min)</i>	16 (60)
Motor Power <i>kW</i>	1.75



* Modified Energy Factor (MEF) measured in cubic feet per kilowatt-hour per cycle. Water Consumption Factor (WCF) measured in gallons per cycle per cubic feet. MEF and WCF statistics are according to DOE test results report by Intertek, an independent testing laboratory, dated August 12, 2009.

** Specifications subject to change without notice or obligation. Call Continental Girbau, Inc for dimensions not shown or for clarification.

