

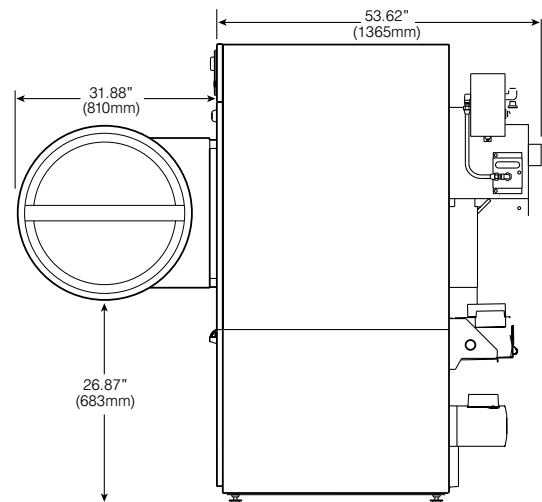
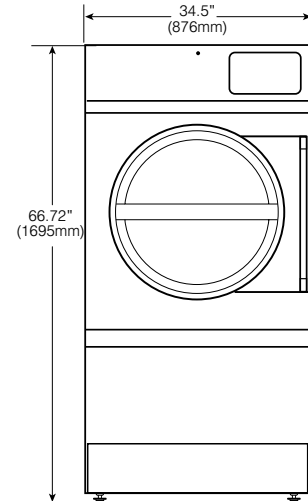
ExpressDry55

VENDED EXPRESSDRY 55-POUND CAPACITY
SINGLE-POCKET DRYING TUMBLERS



2500 State Road 44 • Oshkosh, WI 54904
920.231.8222 • FAX 920.231.4666
www.continentalgirbau.com

Capacity <i>lbs (kg)</i>	55 (24.9)
Cylinder Diameter <i>inch (mm)</i>	33 (838)
Cylinder Depth <i>inch (mm)</i>	35 (889)
Cylinder Volume <i>cu ft (dm³)</i>	17.3 (490)
Net Weight <i>lbs (kg)</i>	435 (197)
Crated Weight <i>lbs (kg)</i>	476 (216)
Machine Width <i>inch (mm)</i>	34.5 (876)
Machine Depth <i>inch (mm)</i>	53.62 (1365)
Machine Height <i>inch (mm)</i>	66.72 (1695)
Door Opening <i>inch (mm)</i>	26.89 (683)
Floor to Door <i>inch (mm)</i>	26.87 (683)
Shipping Dimensions <i>inch (mm)</i> (WxDxH)	35.5 x 59 x 72 (902 x 1499 x 1829)
Motor Power <i>Hp</i>	2 @ 1/2
Exhaust Diameter <i>inch (mm)</i>	8 (203)
Exhaust Air Flow <i>cfm (l/s)</i>	700 (330)
Electric Heating <i>kW</i>	27
Gas Connection <i>inch (mm)</i>	1/2 N.P.T. (12.7)
Gas Heating <i>BTU/h (Kcal/h)</i>	112000 (28230)
Available Voltages/Wire Conductor/Amp	
Gas	100/60/1, 1W+N+G, 9.8 120/60/1, 1W+N+G, 9.3 200-220/60/1, 1W+N+G, 4.6 208-240/60/1, 2W+N+G, 5.2 200-208/60/3, 3W+G, 4 240/60/3, 3W+G, 3.9
Electric	200/60/1, 1W+N+G, 125 208/60/1, 2W+N+G, 129 240/60/1, 2W+N+G, 115 200-208/60/3, 3W+G, 79 240/60/3, 3W+G, 65
Make-up Air Supply <i>inch² (cm²)</i>	110 (710)



* Specifications subject to change without notice or obligation. Call Continental Girbau, Inc for dimensions not shown or for clarification.

