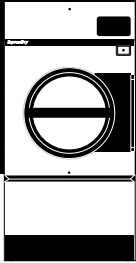




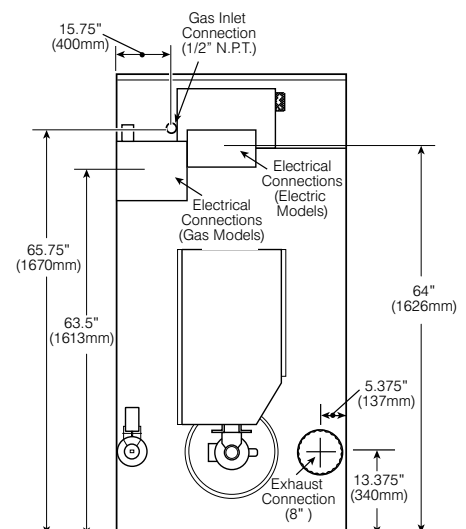
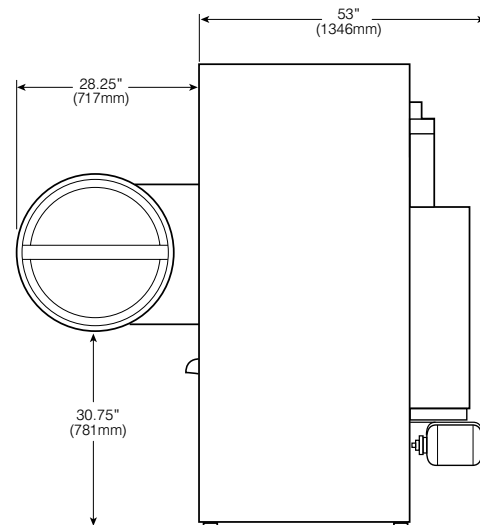
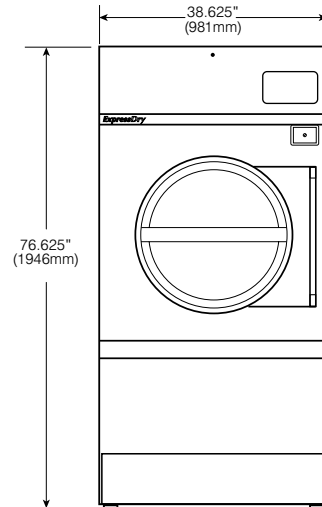
2500 State Road 44 • Oshkosh, WI 54904  
 920.231.8222 • FAX 920.231.4666  
[www.continentalgirbau.com](http://www.continentalgirbau.com)



# ExpressDry75

VENDED EXPRESSDRY 75-POUND CAPACITY  
 SINGLE-POCKET DRYING TUMBLERS

Capacity <i>lbs (kg)</i>	75 (34)
Cylinder Diameter <i>inch (mm)</i>	37 (939)
Cylinder Depth <i>inch (mm)</i>	36 (914)
Cylinder Volume <i>cu ft (dm<sup>3</sup>)</i>	22.4 (634)
Net Weight <i>lbs (kg)</i>	615 (279)
Crated Weight <i>lbs (kg)</i>	677 (307)
Machine Width <i>inch (mm)</i>	38.62 (981)
Machine Depth <i>inch (mm)</i>	53 (1346)
Machine Height <i>inch (mm)</i>	76.625 (1946)
Door Opening <i>inch (mm)</i>	26.89 (683)
Floor to Door <i>inch (mm)</i>	30.75 (781)
Shipping Dimensions <i>inch (mm)</i> (WxDxH)	41.5 x 56.5 x 81 (1054 x 1433 x 2057)
Motor Power <i>Hp</i>	3/4
Reversing Motor Power <i>Hp</i>	2 @ 1/3
Exhaust Diameter <i>inch (mm)</i>	8 (203)
Exhaust Air Flow <i>cfm (l/s)</i>	920 (434)
Electric Heating <i>kW</i>	30
Gas Connection <i>inch (mm)</i>	1/2 N.P.T. (12.7)
Gas Heating <i>BTU/h (Kcal/h)</i>	165000 (41580)
Available Voltages/Wire Conductor/Amp	
Gas	100/60/1, 1W + N + G, 3.8 200-208/60/1, 1W + N + G, 7.6 200-208-240/60/1, 2W + G, 7.6 200-208/60/3, 3W + G, 3.8 240/60/3, 3W + G, 3.8 380/60/3, 3W + G, 1.8 460-480/60/3, 3W + G, 1.9
Electric	200-208/60/3, 3W + G, 89 240/60/3, 3W + G, 79 380/60/3, 3W + G, 47 480/60/3, 3W + G, 50
Make-up Air Supply <i>inch<sup>2</sup> (cm<sup>2</sup>)</i>	195 (1258)



\* Specifications subject to change without notice or obligation. Call Continental Girbau, Inc for dimensions not shown or for clarification.