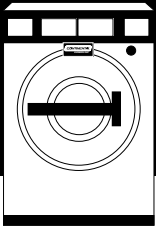




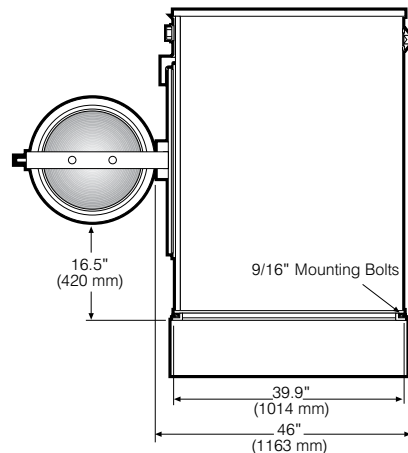
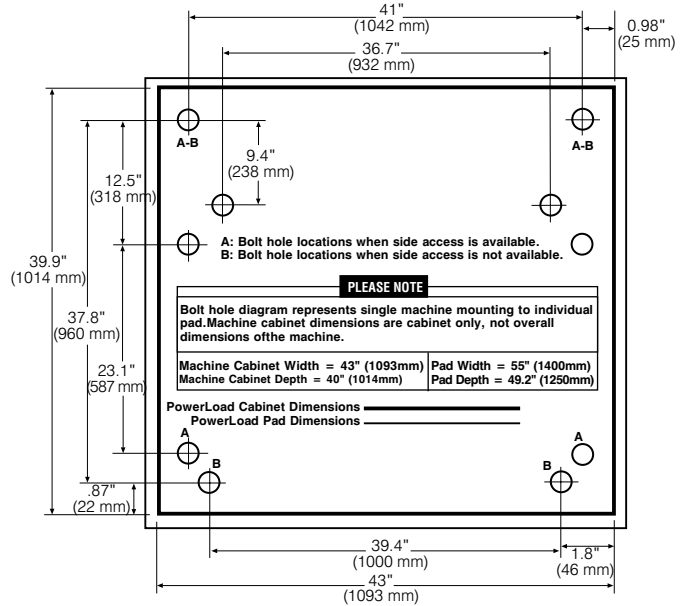
2500 State Road 44 • Oshkosh, WI 54904
 920.231.8222 • FAX 920.231.4666
www.continentalgirbau.com



PowerLoad™

**VENDED 75-POUND CAPACITY
 HARD-MOUNT WASHER-EXTRACTOR**

Capacity <i>lbs (kg)</i>	75 (32)
Cylinder Diameter <i>inch (mm)</i>	35.5 (900)
Cylinder Depth <i>inch (mm)</i>	20 (500)
Cylinder Volume <i>cu ft (dm³)</i>	11.2 (318)
Net Weight <i>lbs (kg)</i>	1314 (596)
Crated Weight <i>lbs (kg)</i>	1502 (681)
Machine Width <i>inch (mm)</i>	43 (1093)
Machine Depth <i>inch (mm)</i>	46 (1163)
Machine Height <i>inch (mm)</i>	57 (1440)
Door Opening <i>inch (mm)</i>	21.6 (549)
Floor to Door <i>inch (mm)</i>	16.5 plus base (420)
Shipping Dimensions <i>inch (mm)</i> (WxDxH)	47 x 49 x 61 (1200 x 1250 x 1550)
Washing Speed <i>rpm</i>	40
Spin Speeds <i>rpm</i>	510
G-force	131
Static Force Transmitted <i>lbs. (kg)</i>	1805 (820)
Dynamic Force Transmitted <i>lbs (kg)</i>	3200 (1450)
Available Voltages/Wire Conductor/Amp	208-240/60/3, 3W + G, 25 440/60/3, 3W + G, 15
Drain Diameter <i>inch (mm)</i>	3 (76)
Water Inlets <i>inch (mm)</i>	3/4 (19)
Recommended Water Pressure <i>PSI (bar)</i>	7-90 (0.5-6)
Water Flow <i>gal/min (l/min)</i>	16 (60)
Motor Power <i>kW</i>	2.7



Terminal Connections All Models		Chemical Injection (Dosing)
Supply #	Conn. #	CM Model Terminal Connections
5	X5-6	47
4	X5-5	46
3	X5-4	45
2	X5-3	44
1	X5-2	43
Common	X5-1	207

* Specifications subject to change without notice or obligation. Call Continental Girbau, Inc for dimensions not shown or for clarification.

Elevation Base Recommendation:
 10" (254 mm) Steel or Concrete

