

SECTION 11110**TUMBLE DRYER, 75 LB. (34 KG) CAPACITY****PART 1 GENERAL**

1.01 SECTION INCLUDES:

- A. Automatic laundry dryer for processing water-washed linen items

1.02 SYSTEM DESCRIPTION

A. DESIGN REQUIREMENTS:

1. Dry weight capacity: 75 lb. (34 kg)
2. Cylinder volume: 22.4 cu ft (634297 cu cm) minimum
3. Construction: Heavy duty embossed steel with e-coat and baked enamel powder paint
4. Input voltage: 240/60/3
5. Heat source: Electric, 30 kW
6. Overall width: 38-5/8 inches (981 mm) nominal
7. Overall height: 76-5/8 inches (1946 mm) nominal
8. Overall depth: 53 inches (1346 mm) nominal
9. Exhaust size: 8 inch (203 mm)
10. Control system: Microprocessor touchpad control
11. Door: High grade stainless steel reversible door with 7/8 inch (22 mm) rubber gasket and heavy duty hinge

B. PERFORMANCE REQUIREMENTS:

1. Airflow: 750 CFM (21.2 CMM)
2. Motor horsepower: 3/4 hp
3. Control system
 - a. minimum of eight automatic drying cycles
 - b. ability to time dry
 - c. variable temperature settings from 120 - 180°F (49 - 82°C)
 - d. wrinkle free at cycle end allowing 2-1/2 minutes of tumble and 2-1/2 minutes of rest until door opens or maximum of one hour
4. Lint filter: 576 sq. inch (3716 sq. cm), self cleaning, depositing lint to large storage area at bottom of tumbler

1.03 DELIVERY, STORAGE AND HANDLING

A. ACCEPTANCE AT SITE:

1. Inspect machine for damage prior to acceptance. If damage is found, follow freight handler's procedure for claims.

B. STORAGE AND PROTECTION

1. Machine should be stored in a site protected from weather, direct sunlight and temperature extremes. Do not remove packaging prior to storage.
2. If machine is to be stored for an extended period of time, consult manufacturer for special requirements.

1.04 WARRANTY

- A. Warranty Period: Three years, limited, parts only, commencing on Date of Substantial completion

1.05 SYSTEM STARTUP AND COMMISSIONING

- A. Machine installation should be inspected by local manufacturer's representative prior to startup and operation. The party installing the machine is responsible for setting the schedule for this inspection.

PART 2 PRODUCTS

2.01 MANUFACTURERS

- A. Alliance Laundry Systems LLC - UniMac, obtain commercial laundry equipment from a single manufacturer

2.02 QUALIFIED MODELS

- A. UniMac model **UT075EOM** (no substitutions permitted)

PART 3 EXECUTION

3.01 INSTALLATION

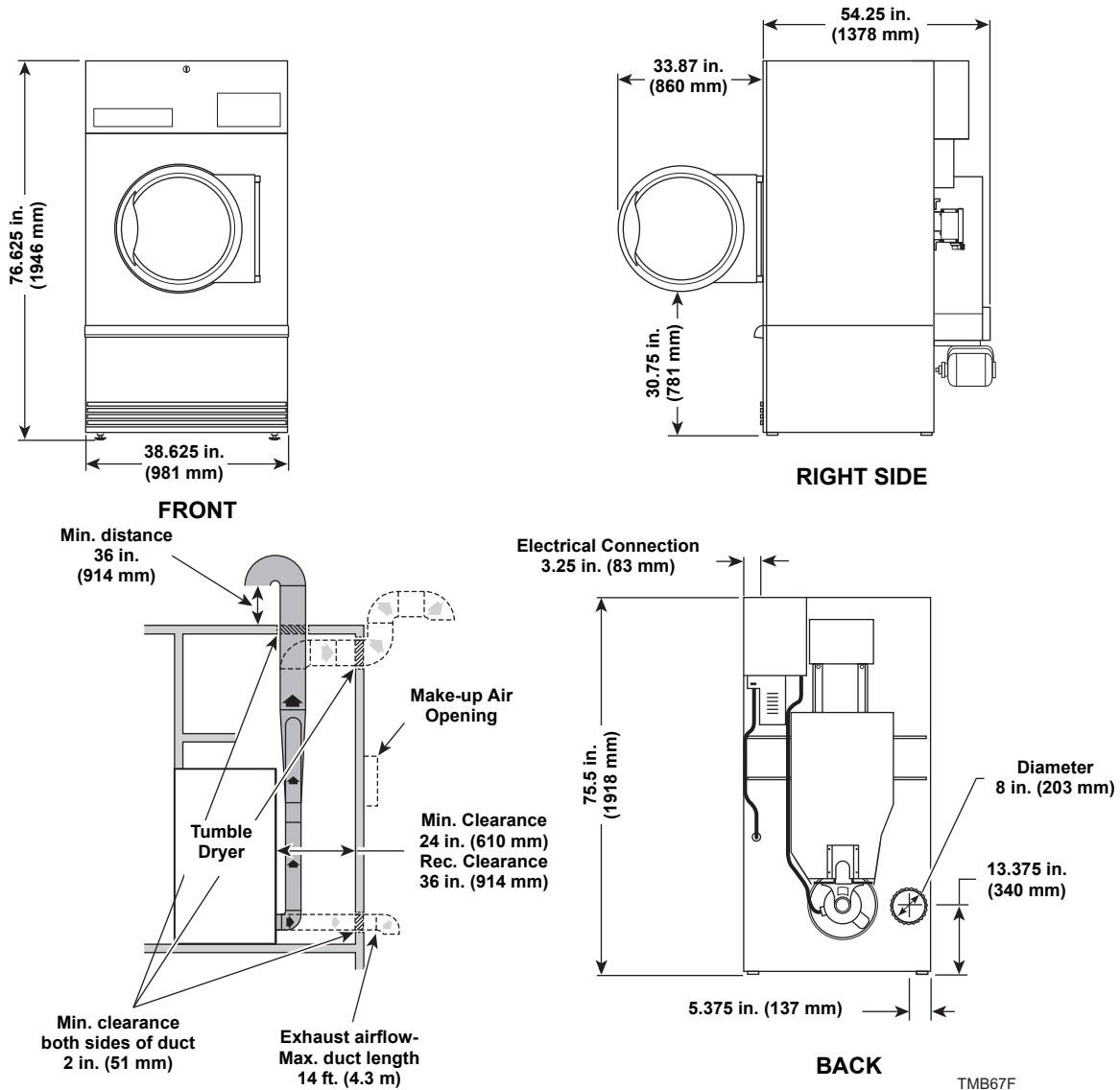
- A. Refer to and comply with manufacturer's installation instructions. Do not deviate without permission from site owner, architect, general contractor and manufacturer's local representative.

Machine Dimensions and Specifications

Models UT075E



Dimensions



Specifications

| | |
|---|-------|
| Net Weight: Pounds | 615 |
| Make-up Air Opening: Square inches | 195 |
| Maximum Airflow per Pocket: C.F.M. | 920 |
| Maximum Static Back Pressure: Inches W.C. | 0.5 |
| Heating Element Rating: Kilowatts | 30 kW |

Electrical Specifications

| Code | Voltage | Cycle | Phase | Wire | Full Load Amps | | Fuse or Breaker Rating (Amps) | Breaker Poles | AWG |
|------|---------|-------|-------|------|----------------|-----------|-------------------------------|---------------|-----|
| | | | | | Nonreversing | Reversing | | | |
| F5 | 200-208 | 60 | 3 | 3 | 89 | 88 | 125* | 3 | 1 |
| J8 | 240 | 60 | 3 | 3 | 79 | 78 | 100* | 3 | 3 |
| M3 | 380 | 60 | 3 | 3 | 47 | 48 | 60* | 3 | 6 |
| P1 | 440 | 60 | 3 | 3 | 41 | 41 | 51* | 3 | 6 |
| Q2 | 480 | 60 | 3 | 3 | 38 | 38 | 50* | 3 | 6 |

* 3 Phase machines should not have fuses, breakers only.