

SECTION 11110**TUMBLE DRYER, 75 LB. (34 KG) CAPACITY****PART 1 GENERAL**

1.01 SECTION INCLUDES:

- A. Automatic laundry dryer for processing water-washed linen items

1.02 SYSTEM DESCRIPTION

A. DESIGN REQUIREMENTS:

- 1. Dry weight capacity: 75 lb. (34 kg)
- 2. Cylinder volume: 22.4 cu ft (634297 cu cm) minimum
- 3. Construction: Heavy duty embossed steel with e-coat and baked enamel powder paint
- 4. Input voltage: 120/208-240/60/1
- 5. Heat source: Gas, natural, 1/2 inch (13 mm) NPT
- 6. Overall width: 38-5/8 inches (981 mm) nominal
- 7. Overall height: 76-5/8 inches (1946 mm) nominal
- 8. Overall depth: 53 inches (1346 mm) nominal
- 9. Exhaust size: 8 inch (203 mm)
- 10. Control system: Microprocessor touchpad control
- 11. Stainless steel door: High grade stainless reversible steel door with 7/8 inch (22 mm) rubber gasket and heavy duty hinge

B. PERFORMANCE REQUIREMENTS:

- 1. BTU input: 165,000
- 2. Airflow: 920 CFM (26.1 CMM)
- 3. Motor horsepower: 3/4 hp
- 4. Control system
 - a. minimum of eight automatic drying cycles
 - b. ability to time dry
 - c. variable temperature settings from 120 - 180°F (49 - 82°C)
 - d. wrinkle free at cycle end allowing 2-1/2 minutes of tumble and 2-1/2 minutes of rest until door opens or maximum of one hour
- 5. Lint filter: 576 sq. inch (3716 sq. cm), self cleaning, depositing lint to large storage area at bottom of tumbler

1.03 DELIVERY, STORAGE & HANDLING

A. ACCEPTANCE AT SITE:

- 1. Inspect machine for damage prior to acceptance. If damage is found, follow freight handler's procedure for claims.

B. STORAGE & PROTECTION

- 1. Machine should be stored in a site protected from weather, direct sunlight & temperature extremes. Do not remove packaging prior to storage.

2. If machine is to be stored for an extended period of time, consult manufacturer for special requirements.

1.04 WARRANTY

- A. Warranty Period: Three years, limited, parts only, commencing on Date of Substantial completion

1.05 SYSTEM STARTUP & COMMISSIONING

- A. Machine installation should be inspected by local manufacturer's representative prior to startup & operation. The party installing the machine is responsible for setting the schedule for this inspection.

PART 2 PRODUCTS

- A. Source quality
- B. Alliance Laundry Systems LLC - UniMac, obtain commercial laundry equipment from a single manufacturer

1.02 QUALIFIED MODELS

- A. UniMac model **UT075NOM** (no substitutions permitted)

PART 3 EXECUTION

1.01 INSTALLATION

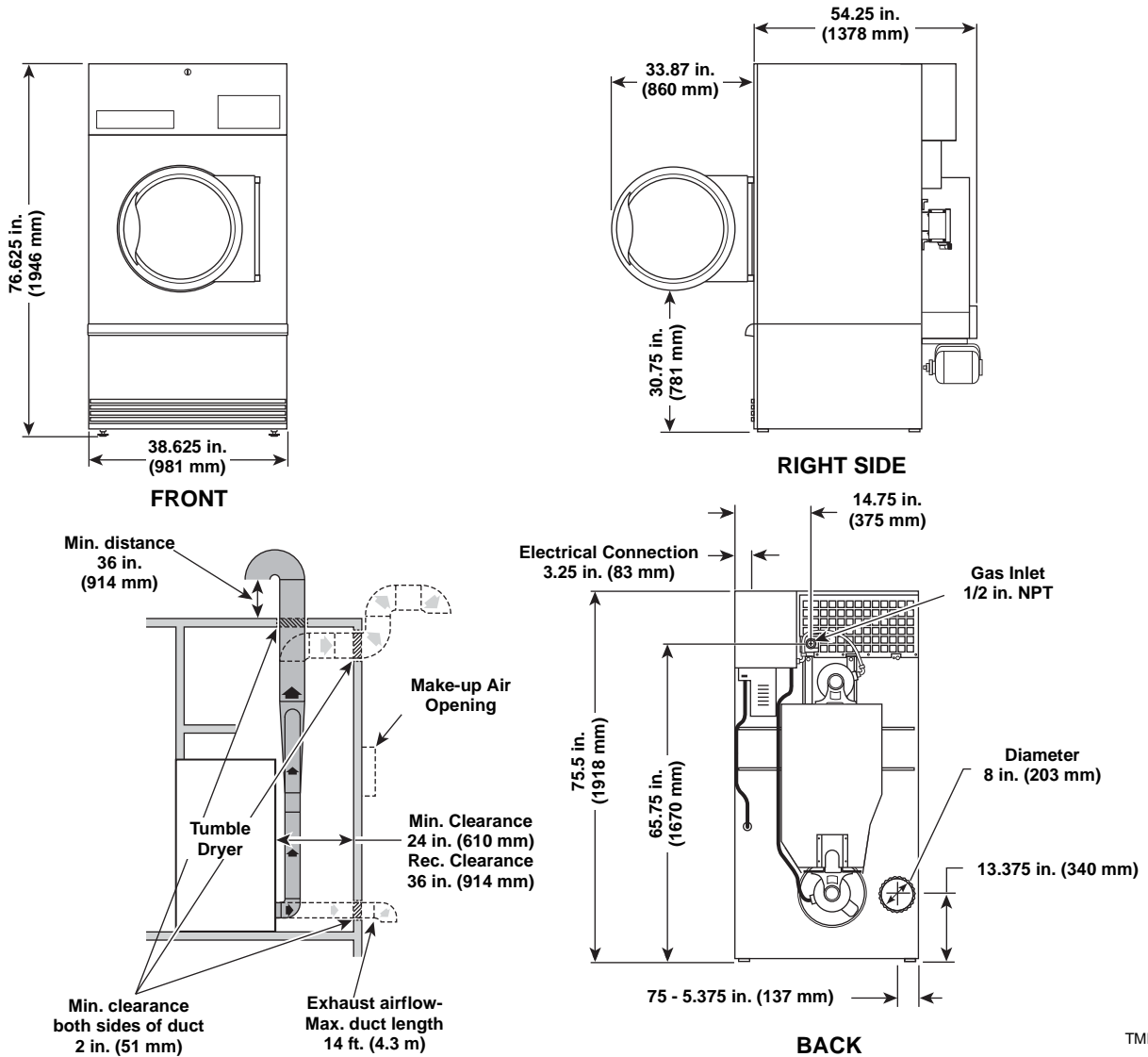
- A. Refer to & comply with manufacturer's installation instructions. Do not deviate without permission from site owner, architect, general contractor & manufacturer's local representative.

Machine Dimensions and Specifications

Models UT075L and UT075N



Dimensions



TMB34F

Specifications

Net Weight: Pounds	615
Make-up Air Opening: Square inches	195
Maximum Airflow per Pocket: C.F.M.	920
Maximum Static Back Pressure: Inches W.C.	0.5
Gas Burner Rating: Btu/hr.	165,000

Electrical Specifications

Code	Voltage	Cycle	Phase	Wire	Full Load Amps		Fuse or Breaker Rating (Amps)	Breaker Poles	AWG
					Nonreversing	Reversing			
B1	120	60	1	2	13.8	N/A	20	1	12
F3	200-208, 240	60	1	2	7.6	N/A	15	1 or 2	14
F5	200-208	60	3	3	3.8	4.3	10*	3	14
J8	240	60	3	3	3.8	4.3	10*	3	14
Q1	460-480	60	3	3	1.9	2.1	10*	3	14

* 3 Phase machines should not have fuses, breakers only.