

SECTION 11110**LAUNDRY WASHER-EXTRACTOR, 65 LB. (29.5 KG) CAPACITY****PART 1 GENERAL**

1.01 SECTION INCLUDES:

- A. Automatic laundry washer-extractor for processing water-washed linen items

1.02 SYSTEM DESCRIPTION

A. DESIGN REQUIREMENTS:

1. Construction: 304 or equal stainless steel cylinder, tub and cover panels
2. Input voltage: X: 200-240/60/1 or 3; 2-3 wire plus ground
3. Dry weight capacity: 65 lb. (29.5 kg)
4. Wash cylinder volume: 9.61 cu ft 272125 cu cm) minimum
5. Overall width: 34.12 inches (867 mm) nominal
6. Overall height: 64.63 inches (1642 mm) nominal
7. Overall depth: 49.83 inches (1266 mm) nominal
8. Number and size of water connections: 4 with 3/4 inch (19 mm) NH male connections
9. Number and size of drain outlets: 1 at 3 inch (76 mm)
10. Overflow: Internally plumbed
11. Control system: Programmable microprocessor
12. Cylinder drive: Single motor, 5 hp-inverter driven, capable of 470 RPM

B. PERFORMANCE REQUIREMENTS:

1. Number of selectable wash speeds: 2
2. Number of programmable extract speeds: 1
3. G-force at highest extract speed: 100
4. Chemical supply system
 - a. manually filled 5 compartment dry chemical dispensing system
 - b. automatic flushing and connections for 5 external supply lines and control signals for 8 external supplies
5. Through the door jet-spray rinse system
6. Control system
 - a. Programmable microprocessor; (manual keypad, PDA or laptop PC)
 - b. 41 cycle capacity
 - c. 30 programmable water levels
 - d. Graphic display with words and icons
 - e. Automatic maintenance reminders
 - f. PC software with management reports

- g. Real-time clock allows time/date stamp of 100+ items
 - h. Water monitoring: fill value, slow drain and automatic leak detection system
 - i. Diagnostic capabilities
7. Drain valve automatically opens in event of power failure

1.03 DELIVERY, STORAGE AND HANDLING

A. ACCEPTANCE AT SITE:

- 1. Inspect machine for damage prior to acceptance. If damage is found, follow freight handler's procedure for claims.

B. STORAGE AND PROTECTION

- 1. Machine should be stored in a site protected from weather, direct sunlight and temperature extremes. Do not remove packaging prior to storage.
- 2. If machine is to be stored for an extended period of time, consult manufacturer for special requirements.

1.04 SYSTEM STARTUP AND COMMISSIONING

- A. Machine installation should be inspected by local manufacturer's representative prior to startup and operation. The party installing the machine is responsible for setting the schedule for this inspection.

PART 2 PRODUCTS

2.01 MANUFACTURERS

- A. Alliance Laundry Systems, UniMac, obtain commercial laundry equipment from a single manufacturer

2.02 QUALIFIED MODELS

- A. UniMac model **UWN065T4L** (no substitutions)

PART 3 EXECUTION

3.01 INSTALLATION

- A. Refer to and comply with manufacturer's installation instructions. Do not deviate without permission from site owner, architect, general contractor and manufacturer's local representative.

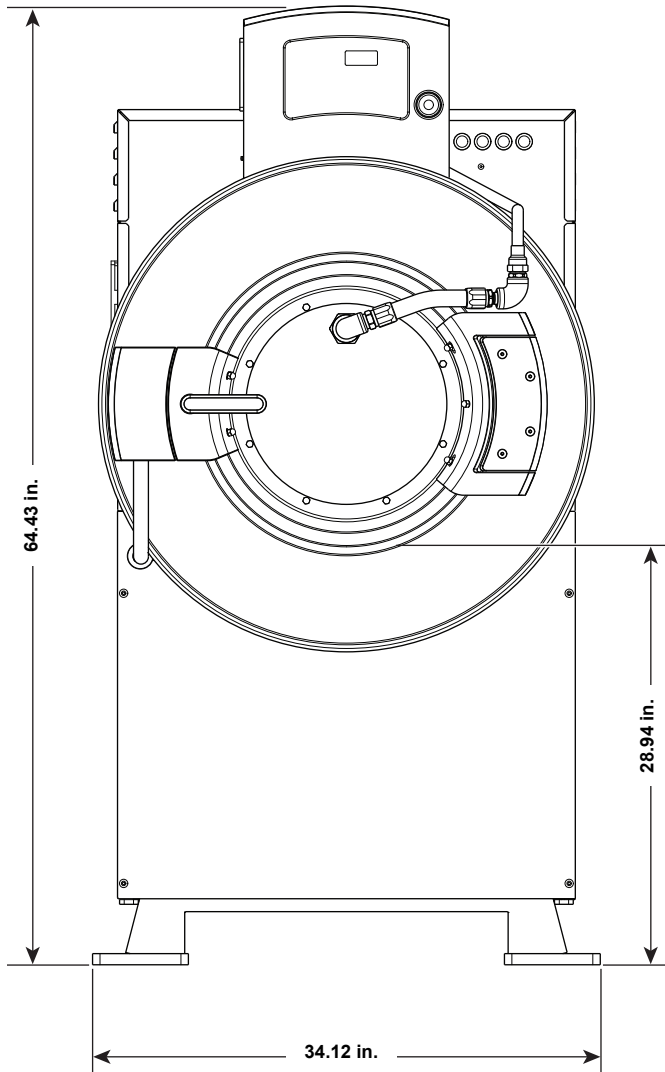
Machine Dimensions and Specifications

Model UWN065T4LX

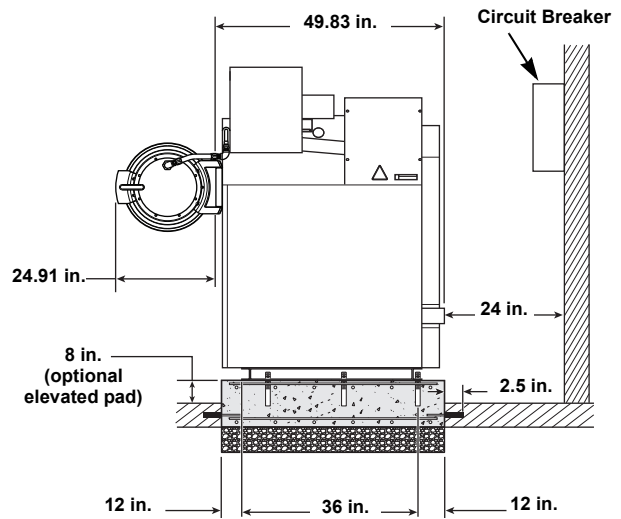


Design 3

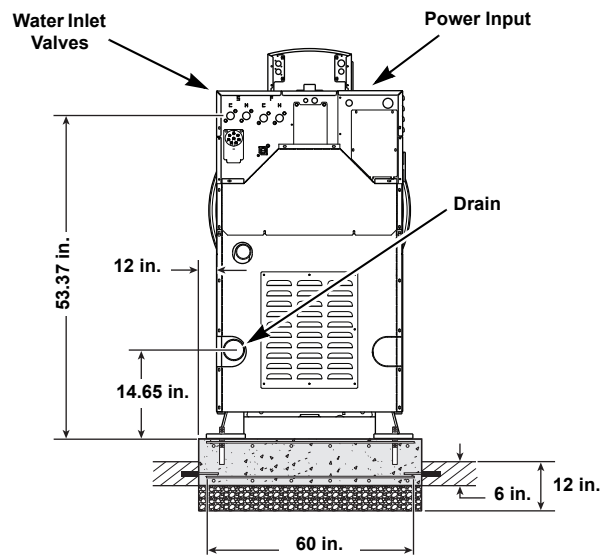
Dimensions and Foundation Requirements



FRONT



RIGHT



BACK

PHM11L

Electrical Specifications

Voltage Designation					Non-Electric Heat Machines (Standard)			
Code	Voltage	Cycle	Phase	Wire	Full Load Amps	Breaker (Non Fused)	AWG	mm ²
X	200-240	50/60	1/3	2/3	12/7	15	14	2.5

Water, Drain and Weight Specifications

Drain: Number (Size)	1 (3 in.)
Fill Water Inlets: Number (Size)	4 (Fill: 0.75 in. Spray: 0.5 in.)
Weight: Machine (With Shipping Packaging)	1060 lbs. (1105 lbs.)
Side Clearance:	6 in. (minimum) 18 in. (recommended)