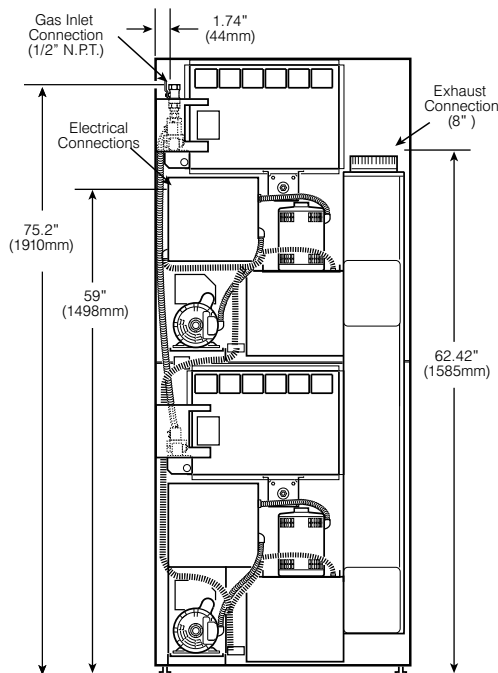
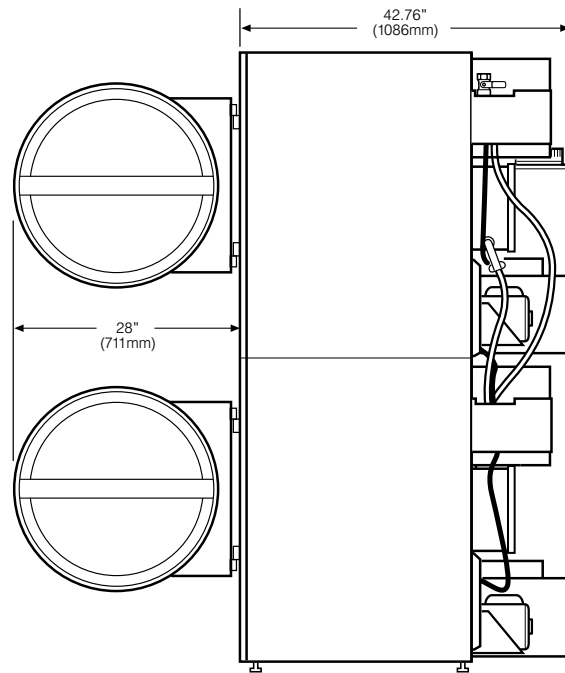
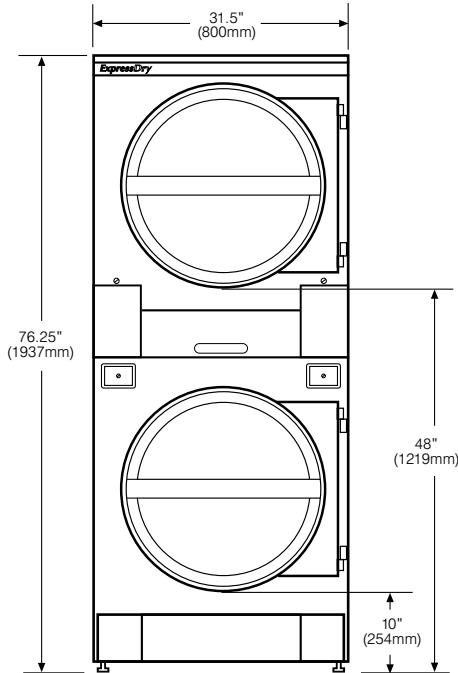
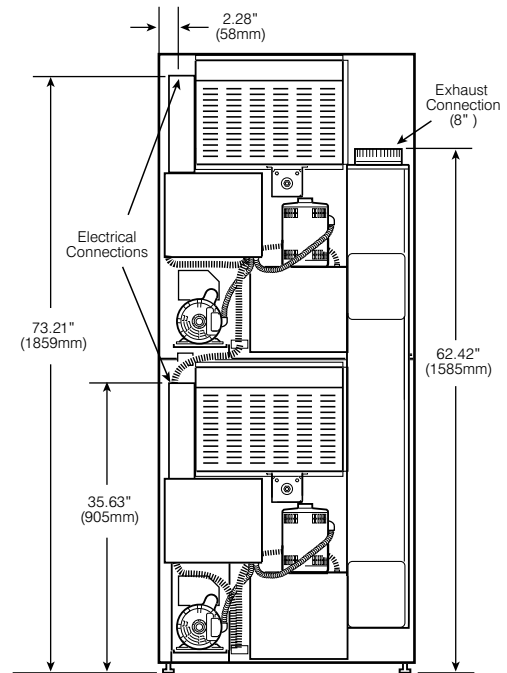


Stack60

VENDED EXPRESSDRY 30-POUND CAPACITY
DUAL-POCKET DRYING TUMBLERS



Gas Models



Electric Models

STACK60 DRYING TUMBLER PRODUCT SPECIFICATIONS

Capacity <i>lbs (kg)</i>	2 x 30 (2 x 13.6)
Cylinder Diameter <i>inch (mm)</i>	30 (762)
Cylinder Depth <i>inch (mm)</i>	26 (660)
Cylinder Volume <i>cu ft (dm³)</i>	10.6 (300)
Net Weight <i>lbs (kg)</i>	544 (247)
Crated Weight <i>lbs (kg)</i>	582 (264)
Machine Width <i>inch (mm)</i>	31.5 (800)
Machine Depth <i>inch (mm)</i>	42.76 (1086)
Machine Height <i>inch (mm)</i>	76.25 (1937)
Door Opening <i>inch (mm)</i>	22.68 (576)
Floor to Door <i>inch (mm)</i>	Top: 48 (1219)
Shipping Dimensions <i>inch (mm)</i> (WxDxH)	32.5 x 47 x 81 (825 x 1194 x 2057)
Motor Power <i>Hp</i>	2 @ 1/4
Exhaust Diameter <i>inch (mm)</i>	8 (203)
Exhaust Air Flow <i>cfm (l/s)</i>	400 (189)
Electric Heating <i>kW</i>	21
Gas Connection <i>inch (mm)</i>	1/2 N.P.T. (12.7)
Gas Heating <i>BTU/h (Kcal/h)</i>	73000 (18390)
Available Voltages/Wire Conductor/Amp	
Gas	100/60/1, 1W+N+G, 22 120/60/1, 1W+N+G, 16 200-220/60/1, 1W+N+G, 11.6 208-240/60/1, 2W+N+G, 8 200-208/60/3, 3W+G, 6.4 240/60/3, 3W+G, 6.4 380/60/3, 3W+G, 3 460-480/60/3, 3W+G, 3.3
Electric	200-208/60/3, 3W+G, 124 240/60/3, 3W+G, 106 380/60/3, 3W+G, 67 460-480/60/3, 3W+G, 54
Make-up Air Supply <i>inch² (cm²)</i>	110 (710)

* Specifications subject to change without notice or obligation. Call Continental Girbau, Inc for dimensions not shown or for clarification.